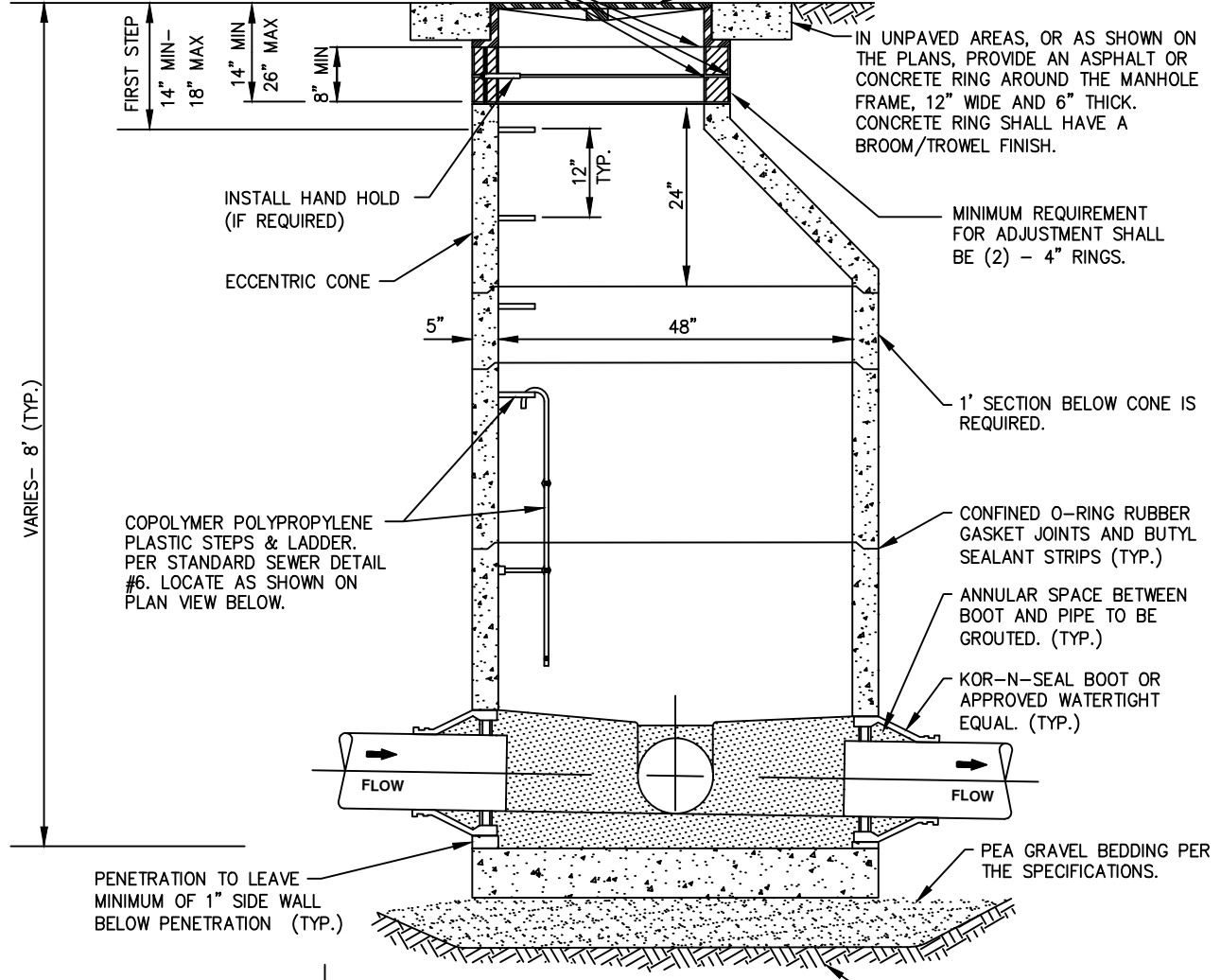
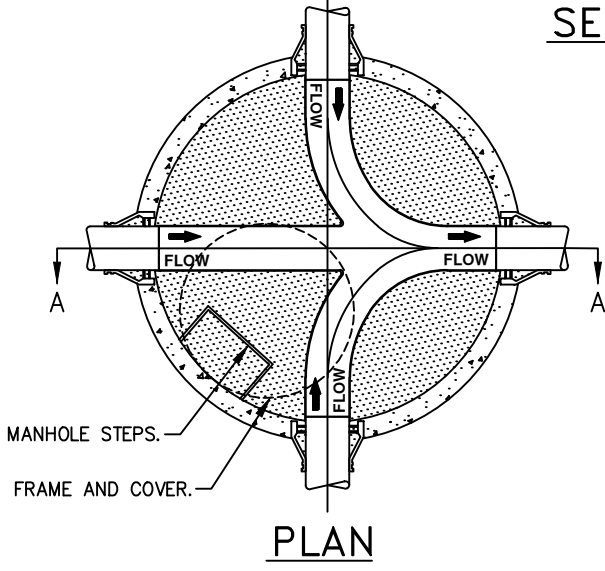


GROUT ADJUSTING RINGS INSIDE, OUTSIDE AND BETWEEN. GROUT UNDER CASTING. INSIDE GROUT SHALL HAVE A SMOOTH BROOM FINISH.

MANHOLE FRAME AND COVER PER THE STANDARD SEWER DETAIL #5. LOCATE AS SHOWN ON PLAN.



VARIES- 8' (TYP.)



SECTION A-A

NOTES:

1. MANHOLE BASE SHALL BE CONCRETE CHanneled PER THE ENGINEERING SPECIFICATIONS. SLOPE SHALL BE A MINIMUM OF 0.1' ACROSS THE INVERT CHANNEL.
2. MARKER POSTS MAY BE REQUIRED IN EASEMENTS.
3. FOR MANHOLES LESS THAN 5' IN DEPTH, SEE SEWER STANDARD DETAIL #3, SHALLOW MANHOLE AND SEWER STANDARD DETAIL #16, EXTRA SHALLOW MANHOLE.
4. ALL PICK HOLES SHALL BE GROUTED ON THE INSIDE AND OUTSIDE OF MANHOLE.
5. MANHOLE LID SHALL BE ORIENTED PER THE DISTRICT'S DIRECTION.

PRECAST MANHOLE

NOT TO SCALE

DETAIL APPROVALS	
EDITOR	TMC
MANAGER	EM

NORTHSHORE UTILITY DISTRICT
2024 STANDARD SEWER DETAILS