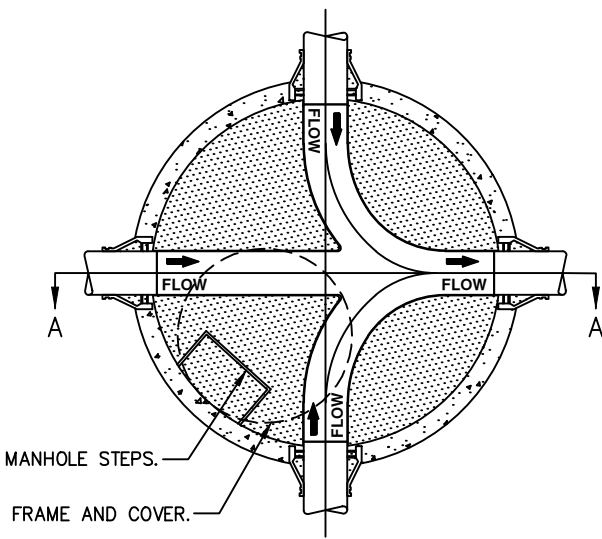
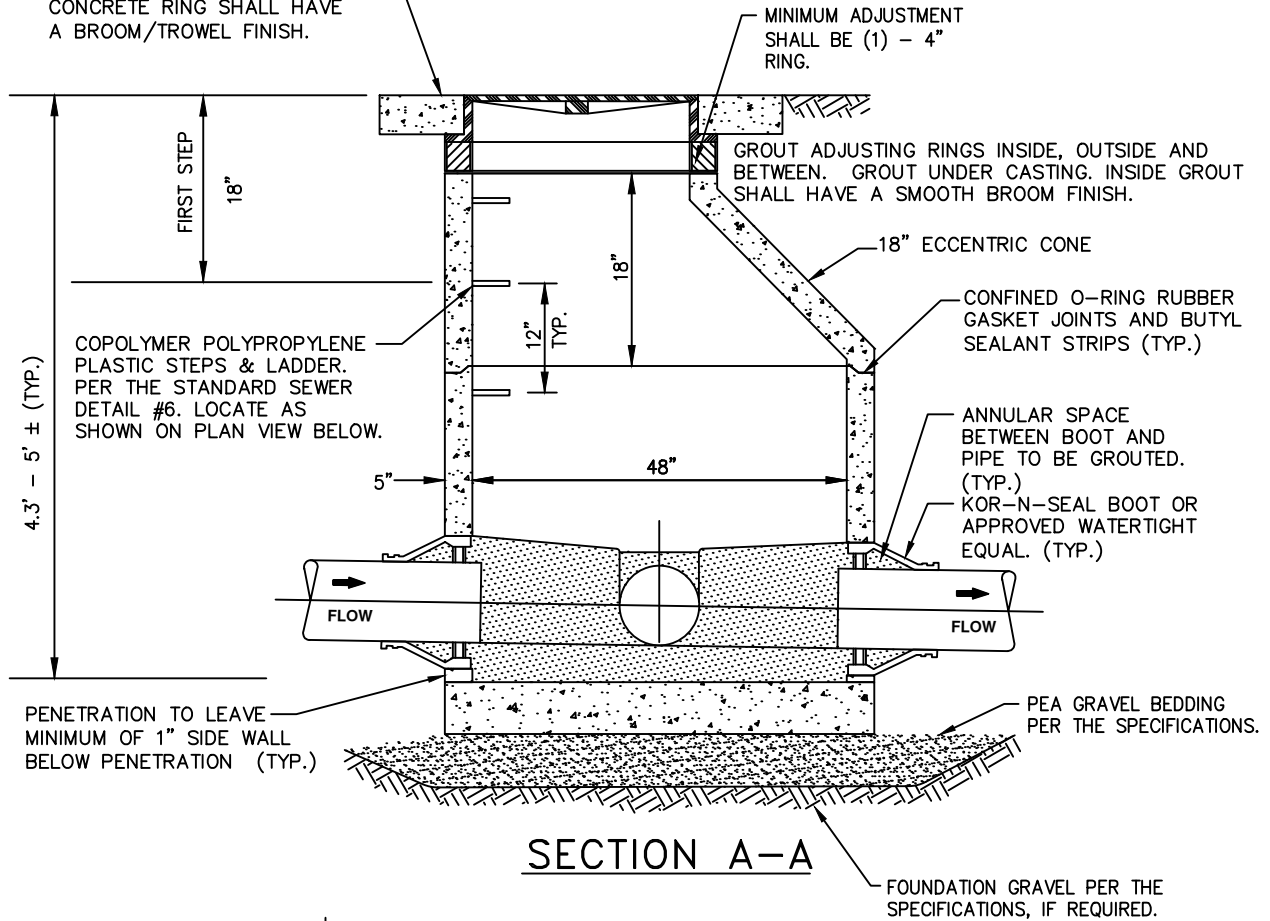


IN UNPAVED AREAS, OR AS SHOWN ON THE PLANS, PROVIDE AN ASPHALT OR CONCRETE RING AROUND THE MANHOLE FRAME, 12" WIDE AND 6" THICK. CONCRETE RING SHALL HAVE A BROOM/TROWEL FINISH.



**PLAN**

**SECTION A-A**

**NOTES:**

1. MANHOLE BASE SHALL BE CONCRETE CHANNELED PER THE ENGINEERING SPECIFICATIONS. SLOPE SHALL BE A MINIMUM OF 0.1' ACROSS THE INVERT CHANNEL.
2. USE 18" ECCENTRIC CONE, OR APPROVED 24" CONE, AND 2' BASE FOR SHALLOW MANHOLE APPLICATION.
3. MARKER POSTS MAY BE REQUIRED IN EASEMENTS.
4. ALL PICK HOLES SHALL BE GROUTED ON THE INSIDE AND OUTSIDE OF MANHOLE.
5. MANHOLE LID SHALL BE ORIENTED PER THE DISTRICT'S DIRECTION.

**PRECAST SHALLOW MANHOLE**

NOT TO SCALE

**DETAIL APPROVALS**  
**EDITOR** TMC  
**MANAGER** EM

**NORTHSHORE UTILITY DISTRICT**  
**2024 STANDARD SEWER DETAILS**

**3**

LAST UPDATED  
MARCH 2024