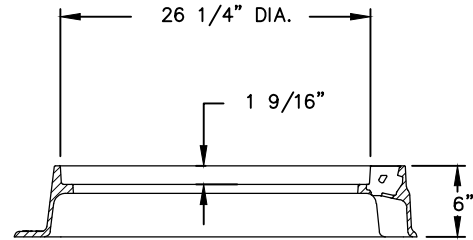
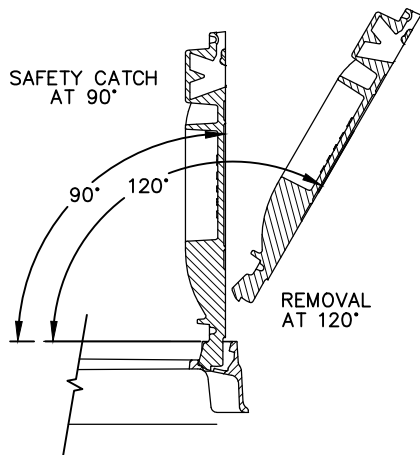


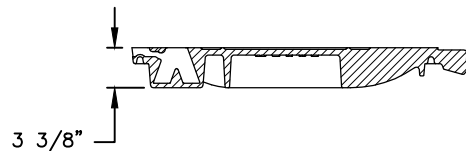
FRAME SECTION B-B



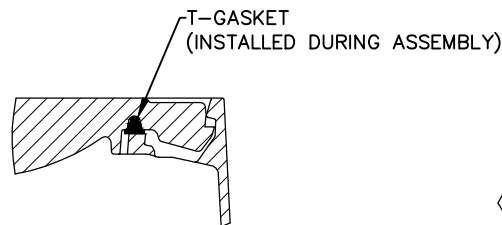
FRAME SECTION A-A



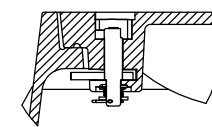
HINGE POSITIONS



COVER SECTION



HINGE & GASKET VIEW



CAM LOCK VIEW

**NOTE:**

1. MANHOLE FRAME AND COVER SHALL BE EAST JORDAN IRON WORKS ERGO ASSEMBLY, PART NUMBER 001040105L01.
2. FOR PRIVATE MANHOLES, FRAME AND COVER SHALL BE EAST JORDAN IRON WORKS ERGO ASSEMBLY, PART NUMBER 00104043L01. MANHOLE LID TO SAY "SEWER". MANHOLE LID NOT TO INCLUDE NUD LOGO OR NAME.

**MANHOLE LOCKING FRAME AND COVER**

NOT TO SCALE

**DETAIL APPROVALS**  
**EDITOR** TMC  
**MANAGER** SJD

**NORTHSHORE UTILITY DISTRICT**  
 2024 STANDARD SEWER DETAILS

**5**

LAST UPDATED  
 FEBRUARY 2020